

JC1020WH

V50 Pro Plaster-in

V50 Pro Plaster-in Fire-rated Downlight 6.2W IP65 3000/4000K White

Features & Benefits

- Countersunk screw points for ultra secure mounting
- Unique AC cable holder
- Shallow baffle lip designed to reduce the required thickness of plaster
- Double hinged driver with clear casing
- White baffle version selectable colour temperature from remote driver, 3000K & 4000K
- Tested for use in Solid and I-joist ceilings. See jcc.co.uk for latest test reports



General Information

Suitable For Zones	Zone 1
Product Group	Fire-rated Downlights
Color Finish	White
Product Shape	Round
Product Range	V50 Pro Plaster-in
Overall Dimensions	121Ø x 78.7mm
Height (mm)	78.7
Diameter (mm)	121
Light Source	LED
Light Source Features	Colour selectable
Minimum Void Requirement	100mm
Product Aperture Size	68-70mm
IP Rating	65
Duration of Fire protection (Mins)	Tested for use in fire-rated ceilings. Full information and up-to-date fire testing certificates for ceiling system types are available on JCC.CO.UK
Origin of manufacturer	China
Warranty	7 years(Terms & conditions apply)
Dimming Protocol Compatibility	Triac

Driver manufacturer	JCC
LED manufacturer/type	Hongli
Customs Tariff code**	9405421000

Electrical

Voltage Rating	230-240
Primary Running Current(Amp)	0.042
Operating Frequency Hz	50/60
Secondary running current(mA)	145
Constant Current or Constant Voltage	CC
Luminaire Circuit Wattage1	6.2
Class	II
Sec - Voltage (VDC)	30-44
EMC Compliant (EN55015)	Yes
Input Electrical Connections	Colour coded Push Fit Terminals LEN Loop In/Loop Out
Dimmable	Triac dimmable
Max No. In Run	30

Thermals

Thermal Cut Out	Yes
Insulation Coverage	Loosely Cover with Mineral Wool Insulation
Minimum Void Requirement	100mm
Operating Temperature Range °C	0-26

Performance Data

LED Life (Hours)*	51000
Energy Rating	This product contains a light source of energy efficiency class D
Actual Lumen Output1	668
Actual Lumen Output2	749
Lumens Per Circuit Watt1	107
Lumens Per Circuit Watt2	120
Color Rendering Index	80-89
CRI: Ra	80
Correlated Colour Temperature1	3000
Correlated Colour Temperature2	4000K
Beam Angle °	60
LOR (Light Output Ratio) %	100
Photometry Available	Yes, on request

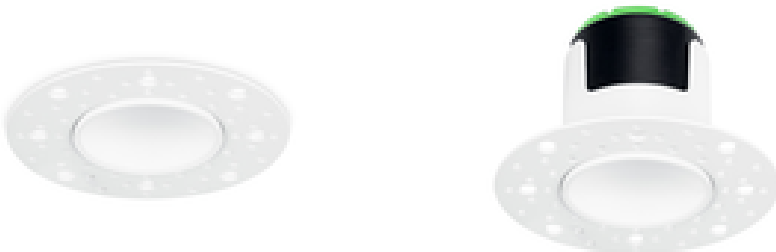
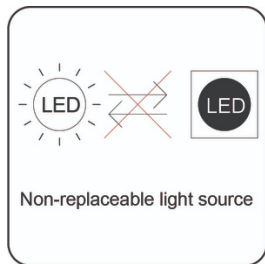
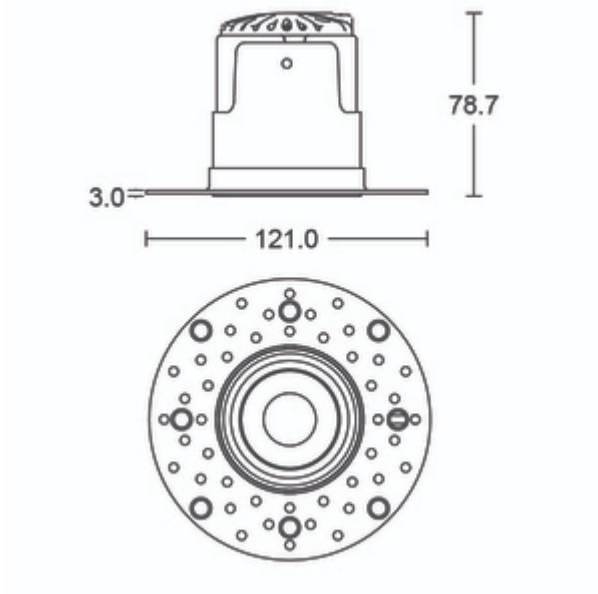
Packaging

Product Bar Code EAN-13 Number	5052544123313
--------------------------------	---------------

Standards & Approvals

Manufactured in accordance to
CE Marked
UKCA Marked
Date code/Purchase order No.
WEEE symbol
Certificate Of Conformity
Accredited Members

BS EN 60598:2015, 2-1, 2-2
Yes
Yes
Yes
Yes
Available on request
LIA, ISO9001-2015, ISO14001-2015



*Hours life stated is an indication of expected L70 chip and light output calculations when operating in optimum conditions. Product warranty period supports the full product during the term given. The L70 hours expectancy is not correlated with the full product warranty term, nor is it a representation of lumen depreciation during the warranty period.

**JCC Lighting Limited makes every effort to ensure that the Customs Tariff information in this document is timely and accurate. However, it's not possible for us to assure the absolute veracity and completeness of that information, as errors may occur. The placement of any inaccurate tariff information is completely unintentional. JCC Lighting Limited reserves the right, in its sole discretion, to correct any errors or omissions to the tariff code and to make any and all changes contained in this document at any time and without notice. It is the sole responsibility of the importer to ensure that

the commodity code advised is correct for the products/goods being supplied by JCC Lighting Limited. JCC Lighting Limited does not assume any liabilities, losses, costs, and expenses arising out of or related to the importers use of this commodity code or the information related to the import of any JCC Lighting products.

JCC Lighting LTD, Lux Park, Chichester Business Park, City Fields Way, Tangmere, Chichester, West Sussex, PO20 2FT.
Sales: 01243 838999 (8am to 5pm Monday to Friday) Fax: 01243 838998 | sales@jcc.co.uk | www.jcc.co.uk
Company Registration Number: 03044848 | VAT Number: 918544112

This document is uncontrolled if printed, all information is subject to change

Version 87 [20/11/2025]